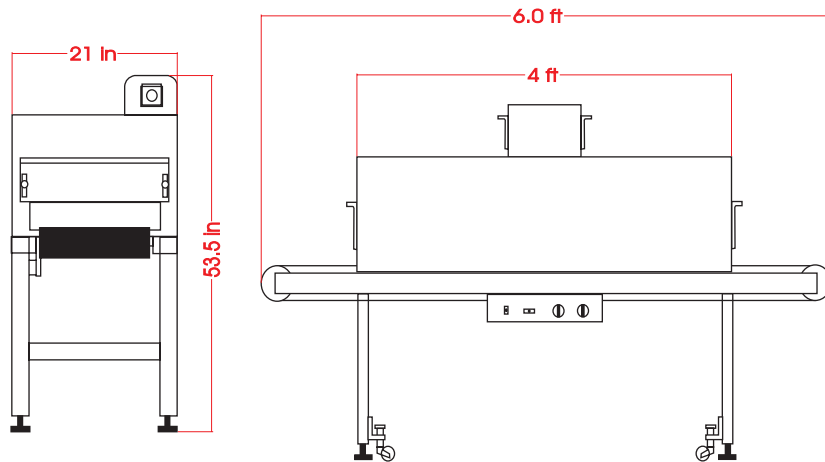


MJ-1000 JET AIR DRYER



FEATURES

- TWO WAY BELT DIRECTION
- VARIABLE SPEED CONTROL
- TEMPERATURE CONTROL
- ADJUSTABLE AIR FLOW
- LEVELING PADS
- MACHINE CASTERS
- ADJUSTABLE OPENING 1 INCH TO 7 INCH
- 12 INCH WIDE BELT

SPECIFICATIONS

- 6 FT. BELT
- 4 FT. OVEN
- 110 VOLT 20 AMP.
- MAX. TEMP. 225 deg.
- H x W x L = 53.5 x 21 x 72in.